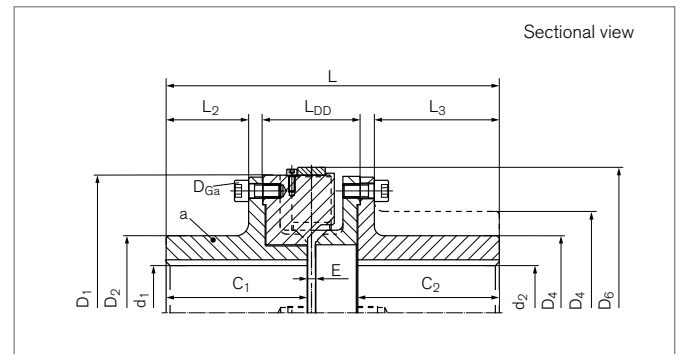
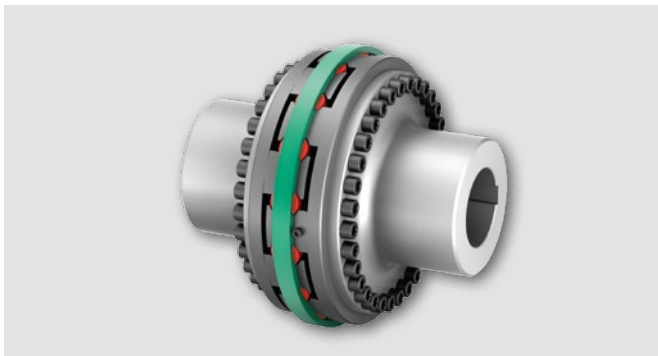


Elastomer Jaw Couplings

RINGFEDER® TNB BHDDV

Combination of multi-part design coupling hubs for short shaft distances with Vkr buffer



Identifier	Size	T_{KN^2}	n_{max}	d_{1kmax}	d_{2kmax}	D_1	D_2	D_4	D_6
		Nm	1/min	mm	mm	mm	mm	mm	mm
WB2024-A	240	2500	4100	85	85	240	140	140	260
WB2024-B	240	2500	4100	85	100	240	140	150	260
WB2030-A	300	6000	3300	110	110	300	170	170	320
WB2030-B	300	6000	3300	110	135	300	170	200	320
WB2035-A	350	10500	2800	120	120	350	180	180	370
WB2035-B	350	10500	2800	120	170	350	180	250	370
WB2040-A	400	16000	2450	140	140	400	210	210	420
WB2040-B	400	16000	2450	140	190	400	210	280	420
WB2045-A	450	21000	2200	170	170	450	250	250	470
WB2045-B	450	21000	2200	170	205	450	250	300	470
WB2050-A	500	28500	2000	180	180	500	270	270	530
WB2050-B	500	28500	2000	180	225	500	270	330	530
WB2055-A	550	45000	1800	200	200	550	280	280	580
WB2055-B	550	45000	1800	200	240	550	280	350	580
WB2060-A	600	55000	1650	235	235	600	330	330	630
WB2060-B	600	55000	1650	235	265	600	330	385	630
WB2065-A	650	65000	1500	250	250	650	350	350	680
WB2065-B	650	65000	1500	250	265	650	350	385	680
WB2070-A	700	90000	1400	260	260	700	370	370	740
WB2070-B	700	90000	1400	260	310	700	370	450	740
WB2080-A	800	120000	1200	320	320	800	450	450	840
WB2080-B	800	120000	1200	320	340	800	450	490	840
WB2090-A	900	180000	1100	340	340	900	480	480	940
WB2090-B	900	180000	1100	340	400	900	480	590	940

To continue see next page

Elastomer Jaw Couplings RINGFEDER® TNB BHDDV

Identifier	Size	C ₁	C ₂	L	L ₂	L ₃	L _{DD}	E	G _{wa} ¹⁾	G _{Wub}
		mm	mm	mm	mm	mm	mm	mm	kg	kg
WB2024-A	240	130	130	315	68	113	104	10	28	56
WB2024-B	240	130	150	335	68	133	104	10	28	61
WB2030-A	300	160	160	384	85	139	124	10	52	105
WB2030-B	300	160	186	410	85	165	124	10	52	121
WB2035-A	350	180	180	424	105	159	124	10	71	138
WB2035-B	350	180	231	475	105	210	124	10	71	187
WB2040-A	400	190	190	451	106	167	138	10	103	202
WB2040-B	400	190	239	500	106	216	138	10	103	161
WB2045-A	450	200	200	471	116	177	138	10	134	264
WB2045-B	450	200	239	510	116	216	138	10	134	315
WB2050-A	500	228	228	539	130	199	160	14	191	377
WB2050-B	500	228	279	590	130	250	160	14	191	454
WB2055-A	550	228	228	539	130	199	160	14	220	428
WB2055-B	550	228	279	590	130	250	160	14	220	521
WB2060-A	600	258	258	604	155	229	170	14	303	595
WB2060-B	600	258	299	645	155	270	170	14	303	688
WB2065-A	650	258	258	609	146	225	182	14	350	688
WB2065-B	650	258	299	650	146	266	182	14	350	760
WB2070-A	700	298	298	698	175	263	200	14	465	912
WB2070-B	700	298	345	745	175	310	200	14	465	1076
WB2080-A	800	338	338	778	215	303	200	14	686	1350
WB2080-B	800	338	365	805	215	330	200	14	686	1460
WB2090-A	900	338	338	784	203	297	214	14	812	1601
WB2090-B	900	338	399	845	203	358	214	14	812	1948

¹⁾ Mass information for unbored coupling parts

²⁾ Attention on peak load. See chapter „Elastomer Jaw Couplings RINGFEDER® TNB Basic information“ in Product Paper & Tech Paper „RINGFEDER® Elastomer Jaw Couplings“

To continue see next page

Elastomer Jaw Couplings RINGFEDER® TNB BHDDV

Explanation

n_{max} = Max. rotation speed	D₄ = Outer diameter hub	L_{DD} = Distance dimension
T_{KN} = Nom. Transmissible torque	D₆ = Diameter	E = Gap width between left and right component
d_{1kmax} = Max. bore diameter d ₁ with keyway acc. to DIN 6885-1	C₁ = Guided length in hub bore	G_{wa} = Weight of subassembly a
d_{2kmax} = Max. bore diameter d ₂ with keyway acc. to DIN 6885-1	C₂ = Guided length in hub bore	G_{wub} = Weight, unbored
D₁ = Outer diameter	L = Total length	
D₂ = Outer diameter hub	L₂ = Length on the hub	
	L₃ = Length	

Ordering example

Identifier	Size	d _{1k}	d _{2k}	Buffer identifier (optional) ³⁾	Further details
WB2035-B	350	120	150	Pb82	*

³⁾ If a different buffer shore hardness is selected, the values from the corresponding table must be taken into account. See chapter „Elastomer Jaw Couplings RINGFEDER® TNB Basic information“ in Product Paper & Tech Paper „RINGFEDER® Elastomer Jaw Couplings“

⁴⁾ Without any other specification, we deliver as a standard: with set screws and keyway acc. to DIN 6885-1, keyway side fit P9, bore tolerance H7

Further information on
RINGFEDER® TNB BHDDV
 on www.ringfeder.com

Disclaimer of liability

All technical details and notes are non-binding and cannot be used as a basis for legal claims. The user is obligated to determine whether the represented products meet his requirements. We reserve the right carry out modifications at any time in the interests of technical progress.