

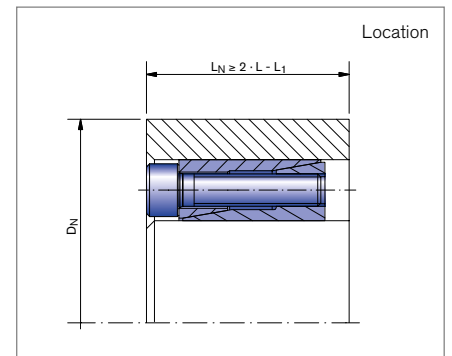
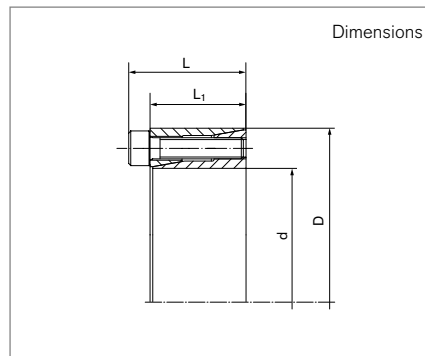
Locking Assemblies

RINGFEDER® RfN 7061 stainless steel

Two piece, self-centering design



self-centering without axial displacement with low surface pressure



Locking Assembly dimensions								Transmissible torques or axial forces		Surface pressure		Locking screws			
d	x	D	d	x	D	L	L ₁	T	F _{ax}	Shaft PW	Hub PN	n _{Sc}	D _G	T _A	G _w
mm		inch		inch		inch		ft-lbs	lbs	psi				ft-lbs	lbs
6	x	16	0.236	x	0.630	0.531	0.433	2.2	202	7101	2754	3	M2.5	0.4	0.03
6.35	x	16	0.250	x	0.630	0.531	0.433	2.2	202	7101	2754	3	M2.5	0.4	0.03
7	x	17	0.276	x	0.669	0.531	0.433	2.2	202	6087	2464	3	M2.5	0.4	0.03
8	x	18	0.315	x	0.709	0.531	0.433	3.0	202	5362	2464	3	M2.5	0.4	0.03
9	x	20	0.354	x	0.787	0.610	0.512	4.4	270	5362	2464	4	M2.5	0.4	0.04
9.53	x	20	0.375	x	0.787	0.610	0.512	4.4	270	5362	2464	4	M2.5	0.4	0.04
10	x	20	0.394	x	0.787	0.610	0.512	4.4	270	4783	2464	4	M2.5	0.4	0.04
11	x	22	0.433	x	0.866	0.610	0.512	5.2	270	4348	2174	4	M2.5	0.4	0.05
12	x	22	0.472	x	0.866	0.610	0.512	5.2	270	3768	2174	4	M2.5	0.4	0.05
14	x	26	0.551	x	1.024	0.787	0.669	14.0	562	8261	4348	4	M3	1.0	0.09
15	x	28	0.591	x	1.102	0.787	0.669	16.2	562	7971	3913	4	M3	1.0	0.10
16	x	32	0.630	x	1.260	0.827	0.669	28.0	899	10290	5072	4	M4	2.1	0.15
17	x	35	0.669	x	1.378	0.984	0.827	30.2	899	9565	4783	4	M4	2.1	0.20
18	x	35	0.709	x	1.378	0.984	0.827	32.5	899	9130	4783	4	M4	2.1	0.19
19	x	35	0.748	x	1.378	0.984	0.827	33.9	899	8696	4783	4	M4	2.1	0.19
20	x	38	0.787	x	1.496	1.024	0.827	60.5	1798	11159	5942	4	M5	4.2	0.22
22	x	40	0.866	x	1.575	1.024	0.827	64.9	1574	10290	5507	4	M5	4.2	0.24
24	x	47	0.945	x	1.850	1.260	1.024	142.4	3372	15652	5942	4	M6	10.3	0.44
25	x	47	0.984	x	1.850	1.260	1.024	148.3	3372	15072	5942	4	M6	10.3	0.42
25.4	x	47	1.000	x	1.850	1.260	1.024	151.2	3372	14493	5942	4	M6	10.3	0.42
28	x	50	1.102	x	1.969	1.260	1.024	251.5	5171	20725	7971	6	M6	10.3	0.44
30	x	55	1.181	x	2.165	1.260	1.024	268.5	5171	19565	7536	6	M6	10.3	0.60
32	x	55	1.260	x	2.165	1.260	1.024	285.4	5171	18406	7536	6	M6	10.3	0.55
35	x	60	1.378	x	2.362	1.457	1.220	416.7	5171	18406	7536	8	M6	10.3	0.79
38	x	65	1.496	x	2.559	1.457	1.220	457.3	6969	17391	7101	8	M6	10.3	0.95
40	x	65	1.575	x	2.559	1.457	1.220	480.2	6969	16232	7101	8	M6	10.3	0.88

To continue see next page

Locking Assemblies RINGFEDER® RfN 7061 stainless steel

Locking Assembly dimensions								Transmissible torques or axial forces		Surface pressure		Locking screws			
d	x	D	d	x	D	L	L ₁	T	F _{ax}	Shaft PW	Hub PN	n _{Sc}	D _G	T _A	G _w
mm			inch			inch		ft-lbs	lbs	psi				ft-lbs	lbs
42	x	75	1.654	x	2.953	1.732	1.417	685.9	9442	18406	7101	6	M8	25.1	1.65
45	x	75	1.772	x	2.953	1.732	1.417	742.7	9442	17391	7101	6	M8	25.1	1.54
48	x	80	1.890	x	3.150	1.732	1.417	1056.9	13039	21884	9130	8	M8	25.1	1.76
50	x	80	1.969	x	3.150	1.732	1.417	1085.7	13039	20725	9130	8	M8	25.1	1.68

More sizes on request

Explanation

d = Inner diameter	F_{ax} = Transmissible axial force	D_G = Thread
D = Outer diameter	PW = Surface pressure on shaft at given T _A	T_A = Tightening torque of the clamping screws
L = Overall length	PN = Surface pressure on hub at given T _A	G_w = Weight
L₁ = Overall length (without screws)	n_{Sc} = Quantity of screws	
T = Transmissible torque at given T _A		

Ordering example

Locking assembly	d	D	Further details
RfN 7061 stainless steel	0.236	0.630	SST (=stainless steel)

Technical Information

- Surface finishes: Shaft and hub bores R_a ≤ 3,2 μm
- Tolerances: Shaft: h8 · Hub: H8

Further information on
RINGFEDER® RfN 7061 stainless steel
 on www.ringfeder.com

Disclaimer of liability

All technical details and notes are non-binding and cannot be used as a basis for legal claims. The user is obligated to determine whether the represented products meet his requirements. We reserve the right carry out modifications at any time in the interests of technical progress.