

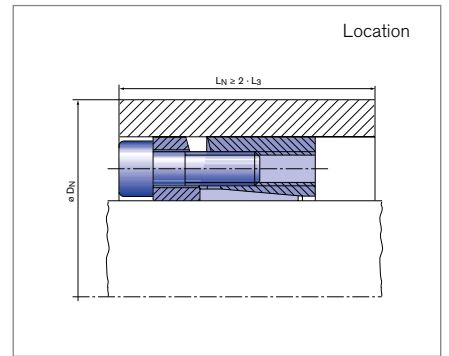
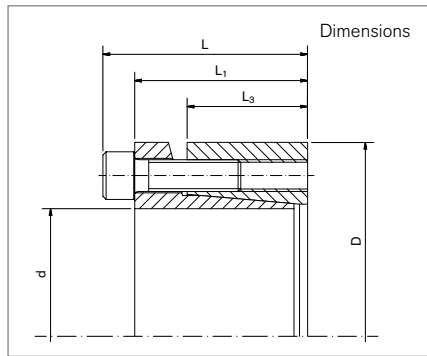
Locking Assemblies

RINGFEDER® RfN 7013.0

Excellent concentricity and very easy to dismantle



self-centering without axial displacement with low surface pressure



Locking Assembly dimensions						Transmissible torques or axial forces		Surface pressure		Locking Screws				D _{N min} at Rp _{0,2}				
d	d	x	D	L	L ₁	L ₃	T	F _{ax}	Shaft PW	Hub PN	n _{Sc}	D _G	SW	T _A	Gw	200	300	400
inch	inch	inch	inch	inch	inch	inch	ft-lbs	lbs	psi			mm	mm	ft-lbs	lbs	[N/mm ²]		
																inch		
1.000	1	x	1.969	1.457	1.220	0.854	323	7752	40170	15070	5	M6 x 20	5	13	0.7	2.875	2.591	2.398
1.1875	1 3/16	x	2.165	1.457	1.220	0.854	385	7781	33800	13650	5	M6 x 20	5	13	0.8	3.000	2.773	2.587
1.250	1 1/4	x	2.362	1.457	1.220	0.854	531	10195	38560	15070	6	M6 x 20	5	13	0.9	3.375	3.108	2.876
1.375	1 3/8	x	2.362	1.457	1.220	0.854	585	10211	35055	15070	6	M6 x 20	5	13	0.9	3.375	3.108	2.876
1.4375	1 7/16	x	2.559	1.457	1.220	0.854	620	10351	33495	13935	6	M6 x 20	5	13	1.0	3.625	3.296	3.069
1.500	1 1/2	x	2.559	1.457	1.220	0.854	647	10352	32100	13935	6	M6 x 20	5	13	1.0	3.625	3.296	3.069
1.625	1 5/8	x	2.953	1.811	1.496	0.996	1234	18225	43870	19055	6	M8 x 25	6	30	1.7	4.750	4.202	3.796
1.750	1 3/4	x	2.953	1.811	1.496	0.996	1329	18226	40740	19055	6	M8 x 25	6	30	1.7	4.750	4.202	3.796
1.875	1 7/8	x	3.150	1.811	1.496	0.996	1426	18253	38070	17915	6	M8 x 25	6	30	1.8	4.875	4.381	3.986
1.9375	1 15/16	x	3.150	1.811	1.496	0.996	1473	18246	36840	17915	6	M8 x 25	6	30	1.8	4.875	4.381	3.986
2.000	2	x	3.150	1.811	1.496	0.996	1521	18252	35690	17915	6	M8 x 25	6	30	1.8	4.875	4.381	3.986
2.125	2 1/8	x	3.346	1.811	1.496	0.996	1803	20363	39125	19625	7	M8 x 25	6	30	1.8	5.500	4.816	4.335
2.1875	2 3/16	x	3.346	1.811	1.496	0.996	1856	20363	38005	19625	7	M8 x 25	6	30	1.8	5.500	4.816	4.335
2.250	2 1/4	x	3.543	1.811	1.496	0.996	1908	20352	36875	18485	7	M8 x 25	6	30	1.9	5.500	4.984	4.518
2.375	2 3/8	x	3.543	1.811	1.496	0.996	2014	20352	34935	18485	7	M8 x 25	6	30	1.9	5.500	4.984	4.518
2.4375	2 7/16	x	3.740	1.811	1.496	0.996	2466	24281	38965	20050	8	M8 x 25	6	30	2.1	6.125	5.430	4.873
2.500	2 1/2	x	3.740	1.811	1.496	0.996	2530	24288	37990	20050	8	M8 x 25	6	30	2.1	6.125	5.430	4.873
2.5625	2 9/16	x	3.740	1.811	1.496	0.996	2593	24286	37065	20050	8	M8 x 25	6	30	2.1	6.125	5.430	4.873
2.750	2 3/4	x	4.331	2.362	1.969	1.315	3680	32116	34770	18200	7	M10 x 35	8	61	4.6	6.750	6.058	5.502
2.875	2 7/8	x	4.528	2.362	1.969	1.315	3845	32097	33300	16920	7	M10 x 35	8	61	4.9	6.875	6.176	5.653
2.9375	2 15/16	x	4.528	2.362	1.969	1.315	3929	32101	32590	16920	7	M10 x 35	8	61	4.9	6.875	6.176	5.653
3.000	3	x	4.528	2.362	1.969	1.315	4012	32096	31910	16920	7	M10 x 35	8	61	4.9	6.875	6.176	5.653
3.375	3 3/8	x	4.921	2.362	1.969	1.315	5434	38642	32430	18345	8	M10 x 35	8	61	5.3	7.625	6.903	6.264
3.4375	3 7/16	x	5.118	2.362	1.969	1.315	5543	38700	31810	17630	8	M10 x 35	8	61	5.7	7.875	7.079	6.451
3.500	3 1/2	x	5.118	2.362	1.969	1.315	5644	38702	31240	17630	8	M10 x 35	8	61	5.7	7.875	7.079	6.451
3.750	3 3/4	x	5.315	2.362	1.969	1.315	7180	45952	36450	21190	10	M10 x 35	8	61	6.0	9.000	7.899	7.036

To continue see next page

Locking Assemblies RINGFEDER® RfN 7013.0

Locking Assembly dimensions						Transmissible torques or axial forces		Surface pressure		Locking Screws					D _{N min} at R _{p0,2}			
d	d	x	D	L	L ₁	L ₃	T	F _{ax}	Shaft p _W	Hub p _N	n _{Sc}	D _G	SW	T _A	G _w	200	300	400
inch	inch			inch			ft-lbs	lbs	psi				mm	ft-lbs	lbs	[N/mm ²]		
3.9375	3 15/16	x	5.709	2.677	2.283	1.606	7957	48500	27300	16210	10	M10 x 35	8	61	8.2	8.500	7.680	7.059
4.000	4	x	5.709	2.677	2.283	1.606	8083	48498	26870	16210	10	M10 x 35	8	61	8.2	8.500	7.680	7.059

More sizes on request

Explanation

d = Inner diameter (decimal notation)	T = Transmissible torque at given T _A	SW = Wrench size
d = Inner diameter	F_{ax} = Transmissible axial force	T_A = Tightening torque of the clamping screws
D = Outer diameter	p_W = Surface pressure on shaft at given T _A	G_w = Weight
L = Overall length	p_N = Surface pressure on hub at given T _A	D_{N min} = Min. hub outer diam. depending of the given hub yield point R _{p0,2}
L₁ = Overall length (without screws)	n_{Sc} = Quantity of screws	
L₃ = Width of ring	D_G = Thread	

Ordering example

Locking assembly	d	D
RfN 7013.0	3.500	5.118

Technical Information

- The Locking Assemblies are supplied slightly oiled and ready to use. The values for T, F_{ax}, p_W and p_N apply to Locking Assemblies installed in the delivery condition.
- Surface finishes: Shaft and hub bores R_a ≤ 1,6 μm
- Tolerances: Shaft: h8 · Hub: H8
- A change of the T_A-values given in the above table is inadmissible
- The outside diameter of the hub is calculated with factor C3 = 0.6. (see chapter "Calculation" in Product Paper & Tech Paper "RINGFEDER® Locking Assemblies").

Further information on
RINGFEDER® RfN 7013.0
 on www.ringfeder.com

Disclaimer of liability

All technical details and notes are non-binding and cannot be used as a basis for legal claims. The user is obligated to determine whether the represented products meet his requirements. We reserve the right carry out modifications at any time in the interests of technical progress.