

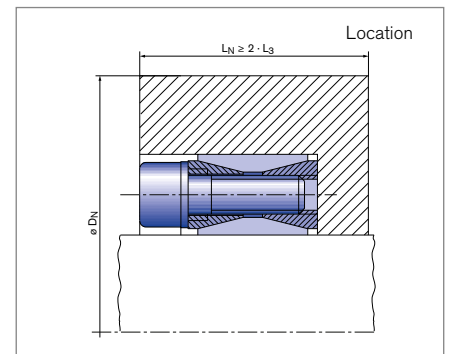
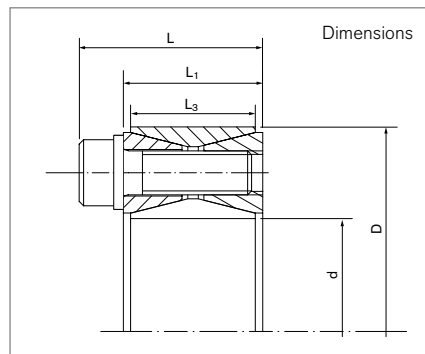
# Locking Assemblies

## RINGFEDER® RfN 7012.2

### Large transmittable forces and moments



self-centering    without axial displacement    with low surface pressure



Locking Assembly dimensions			Transmissible torques or axial forces		Surface pressure		Locking screws			D <sub>N min</sub> at R <sub>p0,2</sub>							
d	x	D	L	L <sub>1</sub>	L <sub>3</sub>	T	F <sub>ax</sub>	Shaft P <sub>w</sub>	Hub P <sub>N</sub>	n <sub>Sc</sub>	D <sub>G</sub>	T <sub>A</sub>	G <sub>w</sub>	200	300	400	T <sub>max</sub>
mm			mm			Nm	kN	N/mm <sup>2</sup>				Nm	kg	[N/mm <sup>2</sup> ]			Nm
130	x	180	52	38	34	22568	347	208	150	19	M12 x 35	145	3,51	294	247	227	29558
140	x	190	52	38	34	29285	418	233	172	23	M12 x 35	145	3,85	337	273	248	38533
150	x	200	52	38	34	31242	417	217	162	23	M12 x 35	145	4,07	342	281	257	41286
160	x	210	52	38	34	36077	451	220	168	25	M12 x 35	145	4,3	366	299	272	47868
170	x	225	60	44	38	43873	516	212	160	21	M14 x 40	230	5,78	381	315	288	58433
180	x	235	60	44	38	50697	563	218	167	23	M14 x 40	230	6,05	409	334	305	67763
190	x	250	68	52	46	62608	659	200	152	27	M14 x 45	230	8,25	410	343	316	83967
200	x	260	68	52	46	68125	681	196	151	28	M14 x 45	230	8,65	425	356	328	91660
220	x	285	74	56	50	89763	816	197	152	25	M16 x 50	355	11,22	467	391	360	121495
240	x	305	74	56	50	101288	844	187	147	26	M16 x 50	355	12,2	490	414	383	137841
260	x	325	74	56	50	125978	969	198	158	30	M16 x 50	355	13,2	545	452	415	172302
280	x	355	86,5	66	60	157579	1126	178	140	29	M18 x 60	485	19,2	557	475	440	216523
300	x	375	86,5	66	60	173905	1159	171	137	30	M18 x 60	485	20,5	581	497	463	239989
320	x	405	100,5	78	72	239969	1500	173	136	30	M20 x 70	690	29,6	627	537	499	332496
340	x	425	100,5	78	72	262469	1544	167	134	31	M20 x 70	690	31,1	651	560	522	365053
360	x	455	116	90	84	349828	1943	170	135	32	M22 x 80	930	42,2	700	601	560	488295
380	x	475	116	90	84	379517	1997	166	133	33	M22 x 80	930	44	725	625	582	531530
400	x	495	116	90	84	410280	2051	162	131	34	M22 x 80	930	46	751	648	605	576460
420	x	515	116	90	84	467378	2226	167	136	37	M22 x 80	930	50	797	682	635	658690
440	x	545	130	102	96	574502	2611	164	132	37	M24 x 90	1200	64,6	769	716	668	812021
460	x	565	130	102	96	615138	2675	161	131	38	M24 x 90	1200	67,4	856	740	690	871875
480	x	585	130	102	96	657024	2738	158	129	39	M24 x 90	1200	71	882	763	713	933724
500	x	605	130	102	96	717664	2871	159	131	41	M24 x 90	1200	72,6	918	792	739	1022508
520	x	630	130	102	96	762703	2933	156	129	42	M24 x 90	1200	80	948	821	767	1089345
540	x	650	130	102	96	808986	2996	153	127	43	M24 x 90	1200	82	973	844	790	1158177
560	x	670	130	102	96	875976	3128	154	129	45	M24 x 90	1200	85	1009	873	816	1256937

To continue see next page

### Locking Assemblies RINGFEDER® RfN 7012.2

Locking Assembly dimensions						Transmissible torques or axial forces		Surface pressure		Locking screws				D <sub>N min</sub> at Rp <sub>0,2</sub>			T <sub>max</sub>
d	x	D	L	L <sub>1</sub>	L <sub>3</sub>	T	F <sub>ax</sub>	Shaft p <sub>w</sub>	Hub p <sub>N</sub>	n <sub>Sc</sub>	D <sub>G</sub>	T <sub>A</sub>	G <sub>w</sub>	200	300	400	
mm			mm			Nm	kN	N/mm <sup>2</sup>				Nm	kg	[N/mm <sup>2</sup> ]			
580	x	690	130	102	96	945507	3260	155	131	47	M24 x 90	1200	88	1045	902	842	1359686
600	x	710	130	102	96	996807	3323	153	129	48	M24 x 90	1200	91	1070	926	865	1436499
620	x	730	130	102	96	1049341	3385	151	128	49	M24 x 90	1200	93	1096	950	888	1515307
640	x	750	130	102	96	1147229	3585	155	132	52	M24 x 90	1200	96	1142	984	918	1659954
660	x	770	130	102	96	1226223	3716	156	133	54	M24 x 90	1200	99	1177	1013	944	1777667
680	x	790	130	102	96	1261026	3709	151	130	54	M24 x 90	1200	102	1192	1031	963	1831536
700	x	810	130	102	96	1295765	3702	146	126	54	M24 x 90	1200	104	1208	1050	982	1885405
720	x	830	130	102	96	1330443	3696	142	123	54	M24 x 90	1200	107	1224	1068	1001	1939274
740	x	850	130	102	96	1415618	3826	143	124	56	M24 x 90	1200	110	1259	1097	1028	2066962
760	x	870	130	102	96	1503294	3956	144	126	58	M24 x 90	1200	113	1294	1126	1054	2198641
780	x	890	130	102	96	1566909	4018	142	125	59	M24 x 90	1200	116	1320	1149	1077	2295406
800	x	910	130	102	96	1631741	4079	141	124	60	M24 x 90	1200	118	1345	1173	1099	2394165

More sizes on request  
To continue see next page

## Locking Assemblies RINGFEDER® RfN 7012.2

### Explanation

<b>d</b> = Inner diameter	<b>F<sub>ax</sub></b> = Transmissible axial force	<b>G<sub>w</sub></b> = Weight
<b>D</b> = Outer diameter	<b>p<sub>w</sub></b> = Surface pressure on shaft at given T <sub>A</sub>	<b>D<sub>N min</sub></b> = Min. hub outer diam. depending of the given hub yield point Rp0,2
<b>L</b> = Overall length	<b>p<sub>N</sub></b> = Surface pressure on hub at given T <sub>A</sub>	<b>T<sub>max</sub></b> = Max. transmissible torque
<b>L<sub>1</sub></b> = Overall length (without screws)	<b>n<sub>sc</sub></b> = Quantity of screws	
<b>L<sub>3</sub></b> = Width of ring	<b>D<sub>G</sub></b> = Thread	
<b>T</b> = Transmissible torque at given T <sub>A</sub>	<b>T<sub>A</sub></b> = Tightening torque of the clamping screws	

### Technical Information

- The Locking Assemblies are supplied slightly oiled and ready-to-use. The values for T, F<sub>ax</sub>, p<sub>w</sub> and p<sub>N</sub> apply to Locking Assemblies in delivery condition.
- Surface finishes: For shaft and hub bore R<sub>a</sub> ≤ 3,2 μm
- Tolerances: Shaft: k9-h9 · Hub: N9-H9  
Max. permissible: Shaft: k11-h11; Hub: N11-H11
- To avoid excessive deformations of the relatively thickwalled thrust rings, the Locking Assembly should be located as symmetrically as possible between shaft and hub bore. If the shaft is smaller than nominal d, the bore should exceed nominal D to the same extent and vice versa. The concentricity quality is determined by the direct centering between shaft and hub.
- If several Locking Assemblies are to be installed the transmission values of the table can be added when the Locking Assemblies are located within a distance of 4 · L.
- A reduction of the screw tightening torque is possible. Please contact our specialists for assistance.
- To facilitate removal, the front thrust rings have auxiliary threads.
- The outside diameter of the hub is calculated with factor C3 = 0.6. (see chapter „Calculation“ in Product Paper & Tech Paper „RINGFEDER® Locking Assemblies“).

### Ordering example

Locking assembly	d	D
RfN 7012.2	200	260

Further information on  
**RINGFEDER® RfN 7012.2**  
 on [www.ringfeder.com](http://www.ringfeder.com)

### Disclaimer of liability

All technical details and notes are non-binding and cannot be used as a basis for legal claims. The user is obligated to determine whether the represented products meet his requirements. We reserve the right carry out modifications at any time in the interests of technical progress.