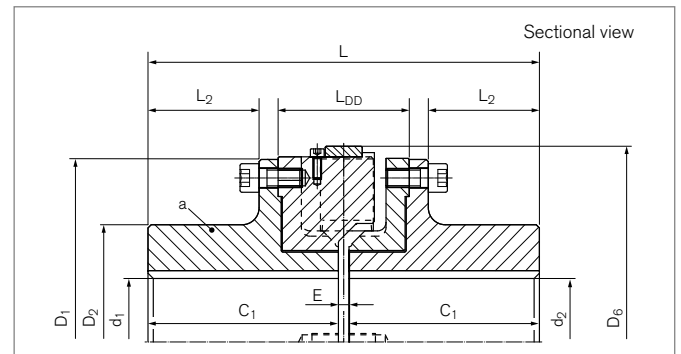
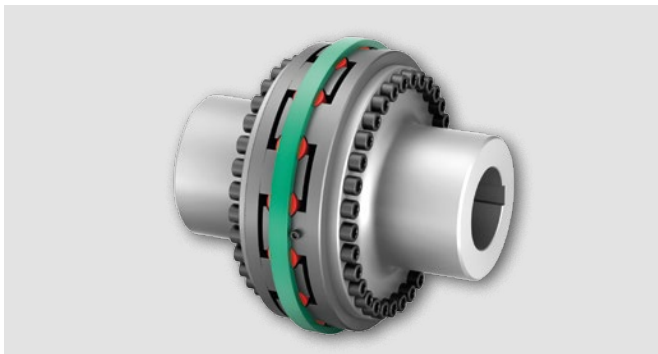


Elastomer Jaw Couplings

RINGFEDER® TNB BHDDVV

Symmetrical setup of multi-part design coupling hubs with very short shaft distances with Vkr buffers



Identifier	Size	$T_{KN}^{2)}$	n_{max}	d_{1kmax}	d_{2kmax}	D_1	D_2	D_6
		Nm	1/min	mm	mm	mm	mm	mm
WB1624	240	2500	4100	85	85	240	140	260
WB1630	300	6000	3300	110	110	300	170	320
WB1635	350	10500	2800	120	120	350	180	370
WB1640	400	16000	2450	140	140	400	210	420
WB1645	450	21000	2200	170	170	450	250	470
WB1650	500	28500	2000	180	180	500	270	530
WB1655	550	45000	1800	200	200	550	280	580
WB1660	600	55000	1650	235	235	600	330	630
WB1665	650	65000	1500	250	250	650	350	680
WB1670	700	90000	1400	260	260	700	370	740
WB1680	800	120000	1200	320	320	800	450	840
WB1690	900	180000	1100	340	340	900	480	940

Identifier	Size	L	L_2	L_{DD}	E	Gwa ¹⁾	Gwub
		mm	mm	mm	mm	kg	kg
WB1624	240	270	68	104	10	28	54
WB1630	300	330	85	124	10	52	102
WB1635	350	370	105	124	10	71	137
WB1640	400	390	106	138	10	103	200
WB1645	450	410	116	138	10	134	263
WB1650	500	470	130	160	14	191	373
WB1655	550	470	130	160	14	220	429
WB1660	600	530	155	170	14	303	595
WB1665	650	530	146	182	14	350	688
WB1670	700	610	175	200	14	465	910
WB1680	800	690	215	200	14	686	1350
WB1690	900	690	203	214	14	812	1602

¹⁾ Mass information for unbored coupling parts

²⁾ Attention on peak load. See chapter „Elastomer Jaw Couplings RINGFEDER® TNB Basic information“ in Product Paper & Tech Paper „RINGFEDER® Elastomer Jaw Couplings“

To continue see next page

Elastomer Jaw Couplings RINGFEDER® TNB BHDDVV

Explanation

T_{KN} = Nom. Transmissible torque	D₂ = Outer diameter hub	E = Gap width between left and right component
n_{max} = Max. rotation speed	D₆ = Diameter	G_{wa} = Weight of subassembly a
d_{1kmax} = Max. bore diameter d ₁ with keyway acc. to DIN 6885-1	C₁ = Guided length in hub bore	G_{wub} = Weight, unbored
d_{2kmax} = Max. bore diameter d ₂ with keyway acc. to DIN 6885-1	L = Total length	
D₁ = Outer diameter	L₂ = Length on the hub	
	L_{DD} = Distance dimension	

Ordering example

Identifier	Size	d _{1k}	d _{2k}	Buffer identifier (optional) ³⁾	Further details
WB1635	350	110	120	Pb82	*

³⁾ If a different buffer shore hardness is selected, the values from the corresponding table must be taken into account. See chapter „Elastomer Jaw Couplings RINGFEDER® TNB Basic information“ in Product Paper & Tech Paper „RINGFEDER® Elastomer Jaw Couplings“

⁴⁾ Without any other specification, we deliver as a standard: with set screws and keyway acc. to DIN 6885-1, keyway side fit P9, bore tolerance H7

Further information on
RINGFEDER® TNB BHDDVV
 on www.ringfeder.com

Disclaimer of liability

All technical details and notes are non-binding and cannot be used as a basis for legal claims. The user is obligated to determine whether the represented products meet his requirements. We reserve the right carry out modifications at any time in the interests of technical progress.