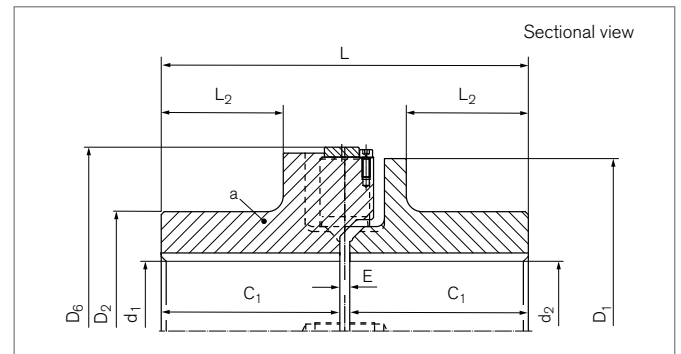
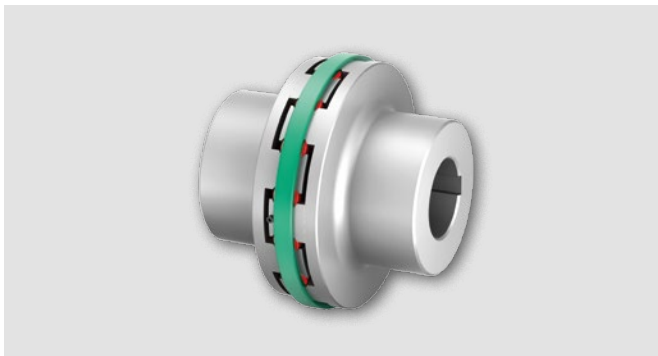


Elastomer Jaw Couplings

RINGFEDER® TNB BH

Combination of one-part design coupling hubs with Vkw buffer for highest torque transmission



Identifier	Size	$T_{KN}^{2)}$	n_{max}	d_{1kmax}	d_{2kmax}	D_1	D_2	D_6
		Nm	1/min	mm	mm	mm	mm	mm
WB0130	300	8600	3300	135	135	300	210	320
WB0135	350	15000	2800	160	160	350	240	370
WB0140	400	23000	2450	180	180	400	270	420
WB0145	450	31000	2200	200	200	450	300	470
WB0150	500	41200	2000	220	220	500	330	530
WB0155	550	66000	1800	240	240	550	350	580
WB0160	600	80000	1650	250	250	600	375	630
WB0165	650	94000	1500	260	260	650	400	680
WB0170	700	130000	1400	300	300	700	450	740
WB0180	800	180000	1200	330	330	800	490	840
WB0190	900	260000	1100	360	360	900	540	940

Identifier	Size	C_1	L	L_2	E	Gwa ¹⁾	Gwub
		mm	mm	mm	mm	kg	kg
WB0130	300	160	330	103	10	51	101
WB0135	350	180	370	123	10	74	145
WB0140	400	198	406	134	10	107	210
WB0145	450	218	446	154	10	141	275
WB0150	500	236,5	487	163,5	14	188	371
WB0155	550	256,5	527	183,5	14	234	456
WB0160	600	258	530	180	14	286	565
WB0165	650	286,5	587	202,5	14	359	705
WB0170	700	327	668	234	14	496	985
WB0180	800	357	728	264	14	653	1285
WB0190	900	407	828	307	14	908	1790

1) Mass information for unbored coupling parts

2) Attention on peak load. See chapter „Elastomer Jaw Couplings RINGFEDER® TNB Basic information“ in Product Paper & Tech Paper „RINGFEDER® Elastomer Jaw Couplings“

To continue see next page

Elastomer Jaw Couplings RINGFEDER® TNB BH

Explanation

T_{KN} = Nom. Transmissible torque	D₁ = Outer diameter	E = Gap width between left and right component
n_{max} = Max. rotation speed	D₂ = Outer diameter hub	G_{wa} = Weight of subassembly a
d_{1kmax} = Max. bore diameter d ₁ with keyway acc. to DIN 6885-1	D₆ = Diameter	G_{wub} = Weight, unbored
d_{2kmax} = Max. bore diameter d ₂ with keyway acc. to DIN 6885-1	C₁ = Guided length in hub bore	
	L = Total length	
	L₂ = Length on the hub	

Ordering example

Identifier	Size	d _{1k}	d _{2k}	Buffer identifier (optional) ³⁾	Further details
WB0155	550	200	180	Pb82	*

³⁾ If a different buffer shore hardness is selected, the values from the corresponding table must be taken into account. See chapter „Elastomer Jaw Couplings RINGFEDER® TNB Basic information“ in Product Paper & Tech Paper „RINGFEDER® Elastomer Jaw Couplings“

⁴⁾ Without any other specification, we deliver as a standard: with set screws and keyway acc. to DIN 6885-1, keyway side fit P9, bore tolerance H7

Further information on
RINGFEDER® TNB BH
 on www.ringfeder.com

Disclaimer of liability

All technical details and notes are non-binding and cannot be used as a basis for legal claims. The user is obligated to determine whether the represented products meet his requirements. We reserve the right carry out modifications at any time in the interests of technical progress.